

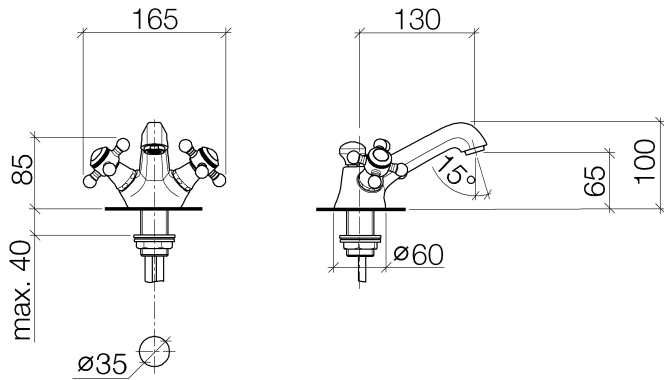
22 500 360



- 130mm projection
- 1 1/4" pop-up waste
- fixed spout
- circular, air-enriched flow
- height of mixer 100 mm
- height up to aerator 65 mm
- hole diameter 35 mm
- 2 x pressure hose with 3/8" cap nut
- max. flow 4.5 l/min
- lead-free
- This product can help a building meet the requirements of Green Building Rating Systems, e.g. LEED®, BREEAM®, DGNB

Only suitable for basins with an overflow.

22 500 360



Flow rate chart



Codes & Standards

ADA

ASME
A112.18.1/CSA
B125.1

California Energy
Commission
(CEC)

NSF/ANSI 372

NSF/ANSI/CAN
61



MADISON Single-hole basin mixer with pop-up waste - Chrome

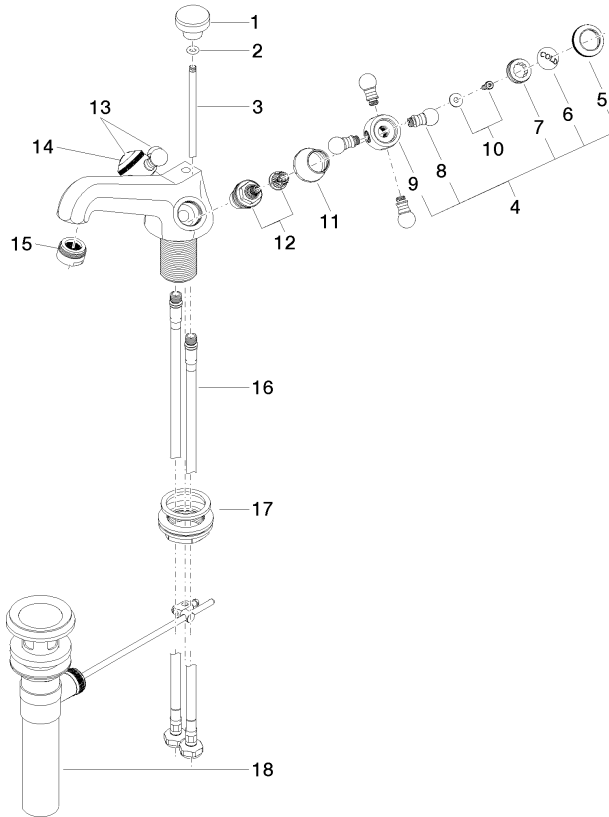
MADISON

22 500 360

Certificates

IAPMO_6397.

22 500 360



Spare parts list

No.	Item Number	Name	Quantity used	Delivery time
1	09 20 36 030-00	handle	1	10
2	90 14 10 062 00 90	seal	1	2
3	09 31 09 004-00	pull-rod	1	10
4	04 20 36 002 06-00	handle (cold)	1	10
5	09 20 36 005-00	handle	2	10
6	09 26 01 010 90	accessories	1	2
7	09 20 83 006 90	handle	2	2
8	09 20 36 004-00	handle	8	10
9	09 20 36 002-00	handle	2	10
10	04 30 30 029 00 90	fixing set	2	2
11	09 21 02 055-00	cover	2	10
12	90 90 03 151 00 90	top	2	2
13	04 20 36 002 07-00	handle (hot)	1	10
14	09 26 01 011 90	accessories	1	2
15	90 23 01 118 04-00	aerator	1	10
16	04 30 04 106 00 90	hose	2	2
17	04 23 10 009 01 90	fixing set	1	2
18	90 11 01 023 00-00	pop-up waste	1	10